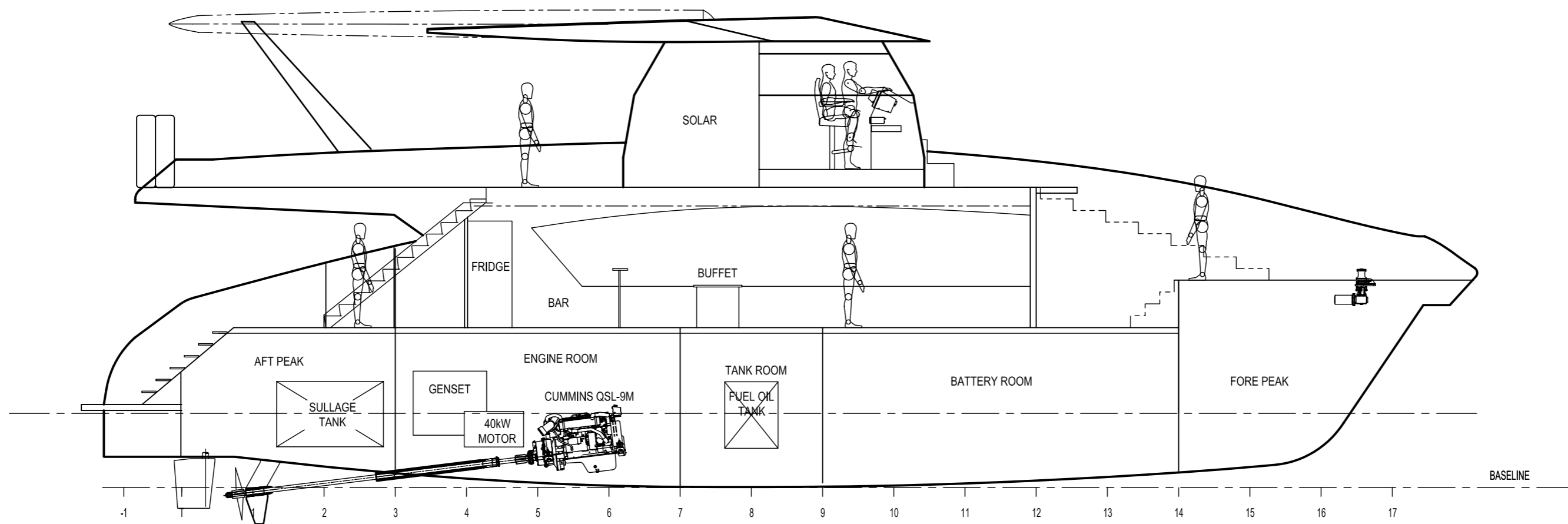
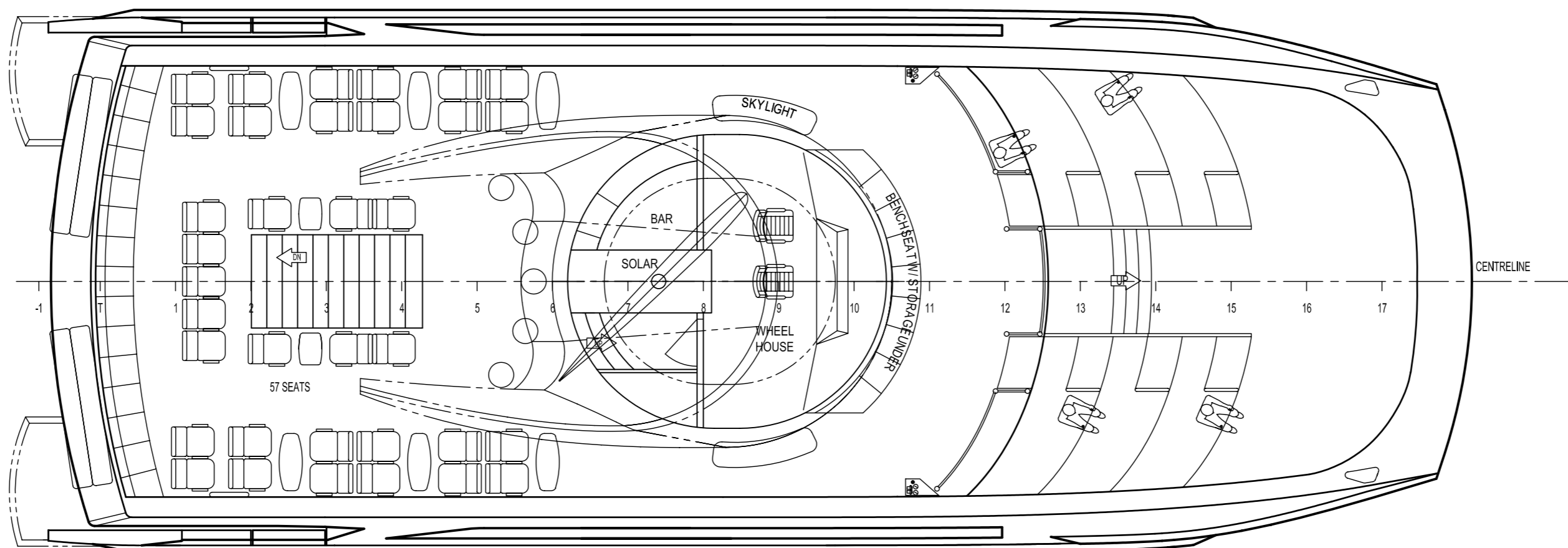


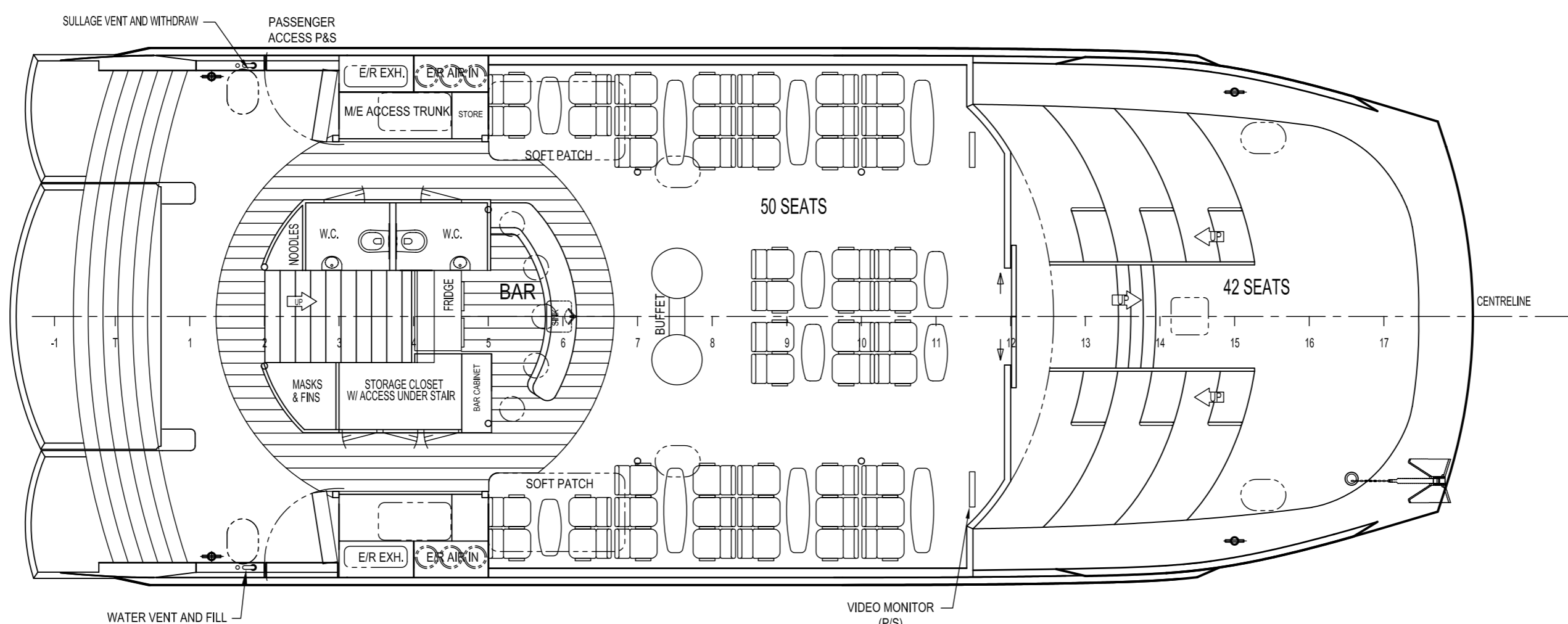
Profile View



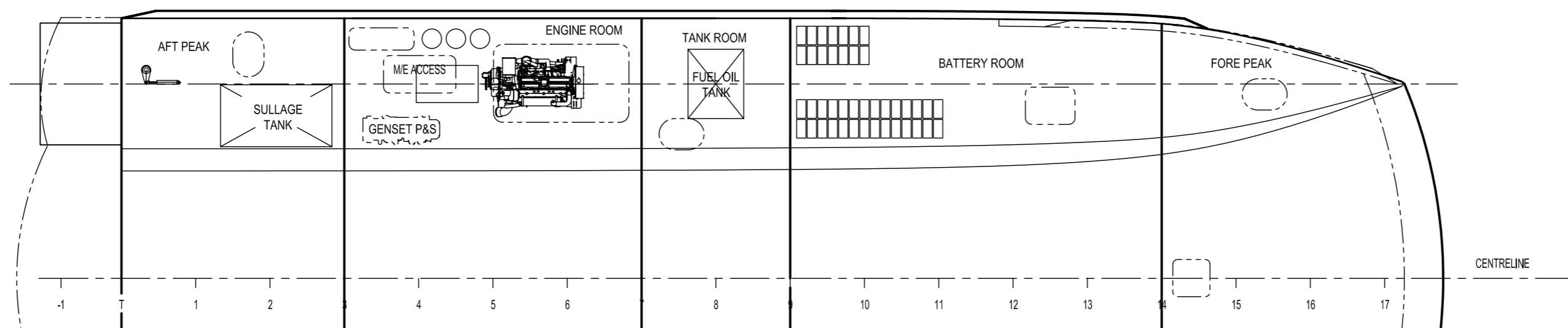
Centreline Profile



Upper Deck



Main Deck



Below Decks



PRINCIPAL PARTICULARS		(APPROX)	
Length Extreme	23.52 m	Fuel	3400 L
Length WL	19.55 m	Fresh Water	870 L
Beam (Excl. Sponsons)	8.40 m	Sullage	870 L
Depth (Moulded)	2.70 m	Passengers	149
Draft (Full Load)	1.05 m		

2200 GENERAL ARRANGEMENT

28 MAR 2007

One 2 Three Pty Ltd | 11 Phillips Rd | Kogarah | NSW | 2217 | Australia | Tel: +61-2-9553-0366 | Fax: +61-2-9553-0344 | design@one2three.com.au
 THIS DRAWING AND ALL INFORMATION CONTAINED WITHIN REMAIN THE SOLE PROPERTY OF ONE 2 THREE PTY. LTD. NO PART MAY BE COPIED, MODIFIED OR REPRODUCED IN ANY MANNER WITHOUT THE
 PRIOR WRITTEN PERMISSION OF ONE 2 THREE PTY. LTD. © 2006

DRAWING # 0660-0001 REVISION D A1 SHEET SCALE 1:75